

Mold Skirts

Quick Setup, Removal,
Increase Product Yield



Features

- **Protects** delicate parts and reduces waste
- Keeps parts from **scattering**
- **Abrasion, puncture and tear resistant**
- **Repels oil and dirt, easily cleaned**
- Maximum operating temperature of **230°F**
- Available in **Straight or Tapered styles**
- Available in **Standard and Custom sizes** and in the **standard blue color** or **food-grade yellow**

Description

Mold Skirts are an ideal solution to prevent parts from scattering randomly in the “drop zone”. Mold Skirts ensure your parts land on the conveyor or in the packing case - **not on the floor** - reducing waste and increasing profits.

Made of a durable polyester reinforced material with an internal polyester screen mesh, mold skirts are easily attached and removed from the molding machine using magnets and Velcro straps. Mold Skirts are reliably sturdy, yet gentle enough to protect even the most delicate parts. The Mold Skirt's unique construction and material composition enable it to repel oil and grease, and is abrasion, puncture and tear resistant. Mold Skirts are easily cleaned and there are no folds to trap dirt or parts.

Straight Mold Skirts (SMS) and Tapered Mold Skirts (TMS) have a bottom exit delivery and can move with the mold. The skirts are mounted with the supplied magnets and Velcro, and can be hung from platens or from the machine chassis.

Mold Skirts are available in standard and custom sizes, and in the **standard blue** color or **food-grade yellow**. **Mold Chutes** are also available when a side exit is needed. All hardware is included. For a complete part containment solution use with: **Moldshields™**

All Mold Skirts are made to order.

Mold Skirts

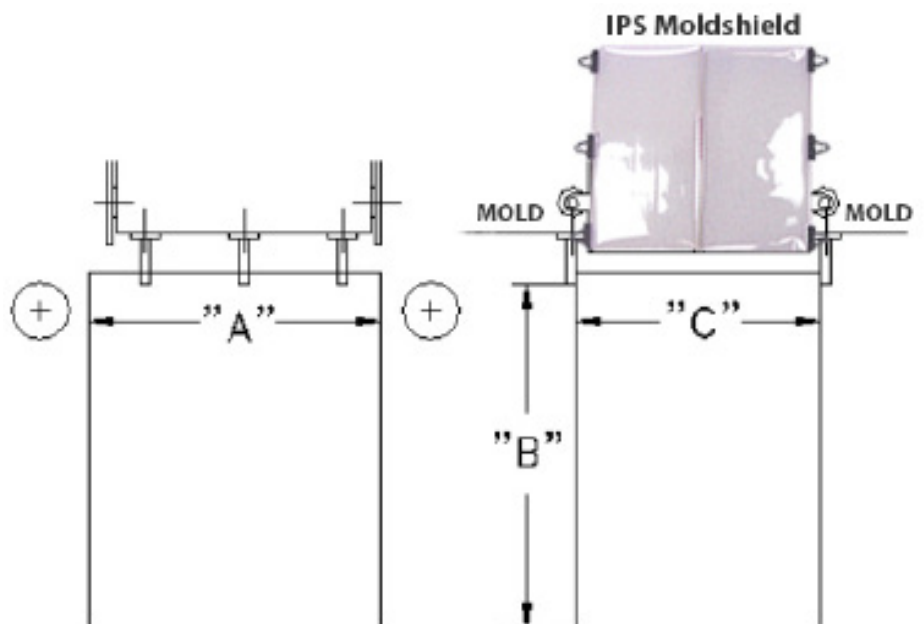
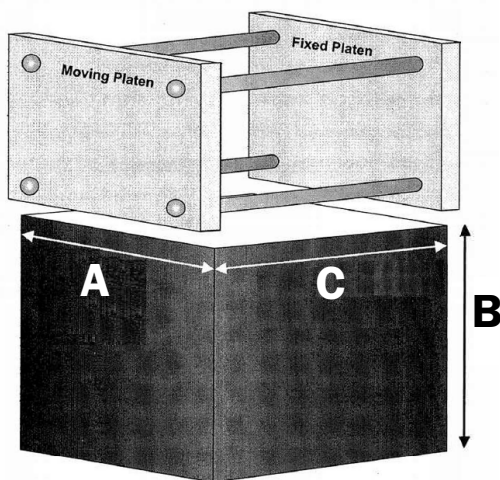
Keep parts off the floor and profits in your pocket.



Straight Mold Skirts (SMS):

Model Number	Width "A"	Vertical Height "B"	Mold Open Width "C"
SMS-20	8" (20cm)	16" (41cm)	8" (20cm)
SMS-25	10" (25cm)	17" (43cm)	10" (25cm)
SMS-30	12" (30cm)	18" (46cm)	12" (30cm)
SMS-35	14" (35cm)	19" (48cm)	14" (35cm)
SMS-40	16" (40cm)	20" (51cm)	16" (40cm)
SMS-45	18" (45cm)	21" (53cm)	18" (45cm)
SMS-50	20" (50cm)	22" (56cm)	20" (50cm)
SMS-55	22" (55cm)	23" (58cm)	22" (55cm)
SMS-60	24" (60cm)	24" (60cm)	24" (60cm)

Model Number	Width "A"	Vertical Height "B"	Mold Open Width "C"
SMS-65	26" (65cm)	25" (63cm)	26" (65cm)
SMS-70	28" (70cm)	26" (66cm)	28" (70cm)
SMS-75	30" (75cm)	27" (69cm)	30" (75cm)
SMS-80	32" (80cm)	27" (69cm)	32" (75cm)
SMS-85	34" (85cm)	29" (74cm)	34" (85cm)
SMS-90	36" (90cm)	30" (76cm)	36" (90cm)
SMS-95	37.5" (95cm)	31" (79cm)	37.5" (95cm)
SMS-100	39" (100cm)	32" (81cm)	39" (100cm)
SMS-105	41" (105cm)	33" (84cm)	41" (105cm)



Mold Skirts

Keep parts off the floor and profits in your pocket.



Tapered Mold Skirts (TMS):

Model Number	Width "A"	Vertical Height "B"	Mold Open Width "C"	Tapered Exit "D"	Tapered Exit "E"
TMS-20	8" (20cm)	16" (41cm)	8" (20cm)	Specify	Specify
TMS-25	10" (25cm)	17" (43cm)	10" (25cm)	Specify	Specify
TMS-30	12" (30cm)	18" (46cm)	12" (30cm)	Specify	Specify
TMS-35	14" (35cm)	19" (48cm)	14" (35cm)	Specify	Specify
TMS-40	16" (40cm)	20" (51cm)	16" (40cm)	Specify	Specify
TMS-45	18" (45cm)	21" (53cm)	18" (45cm)	Specify	Specify
TMS-50	20" (50cm)	22" (56cm)	20" (50cm)	Specify	Specify
TMS-55	22" (55cm)	23" (58cm)	22" (55cm)	Specify	Specify
TMS-60	24" (60cm)	24" (60cm)	24" (60cm)	Specify	Specify

Model Number	Width "A"	Vertical Height "B"	Mold Open Width "C"	Tapered Exit "D"	Tapered Exit "E"
TMS-65	26" (65cm)	25" (63cm)	26" (65cm)	Specify	Specify
TMS-70	28" (70cm)	26" (66cm)	28" (70cm)	Specify	Specify
TMS-75	30" (75cm)	27" (69cm)	30" (75cm)	Specify	Specify
TMS-80	32" (80cm)	27" (69cm)	32" (75cm)	Specify	Specify
TMS-85	34" (85cm)	29" (74cm)	34" (85cm)	Specify	Specify
TMS-90	36" (90cm)	30" (76cm)	36" (90cm)	Specify	Specify
TMS-95	37.5" (95cm)	31" (79cm)	37.5" (95cm)	Specify	Specify
TMS-100	39" (100cm)	32" (81cm)	39" (100cm)	Specify	Specify
TMS-105	41" (105cm)	33" (84cm)	41" (105cm)	Specify	Specify

